



Assembly Instructions for 2025 Indian® Scout® Grand National® Slip-On Muffler (550-1121, 550-1122)

DISCLAIMER:

Many S&S parts are designed for high performance, closed course, racing applications and are intended for the very experienced rider only. The installation of S&S parts may void or adversely affect your factory warranty. In addition such installation and use may violate certain federal, state, and local laws, rules and ordinances as well as other laws when used on motor vehicles used on public highways. Always check federal, state, and local laws before modifying your motorcycle. It is the sole and exclusive responsibility of the user to determine the suitability of the product for his or her use, and the user shall assume all legal, personal injury risk and liability and all other obligations, duties, and risks associated therewith.

*Qualified manufacturer declared U.S. 50-State legal emissions replacement part on MY 2025 Indian Scout Models.

SAFE INSTALLATION AND OPERATION RULES:

Before installing your new S&S part, it is your responsibility to read and follow the installation and maintenance procedures in these instructions and follow the basic rules below for your personal safety.

- Gasoline is extremely flammable and explosive under certain conditions and toxic when breathed. Do not smoke. Perform installation in a well ventilated area away from open flames or sparks.
- If motorcycle has been running, wait until engine and exhaust pipes have cooled down to avoid getting burned before performing any installation steps.
- Before performing any installation steps, disconnect battery to eliminate potential sparks and inadvertent engagement of starter while working on electrical components.
- Read instructions thoroughly and carefully so all procedures are completely understood before performing any installation steps. Contact S&S with any questions you may have if any steps are unclear or any abnormalities occur during installation or operation of motorcycle with an S&S part on it.
- Consult an appropriate service manual for your motorcycle for correct disassembly and reassembly procedures for any parts that need to be removed to facilitate installation.
- Use good judgment when performing installation and operating motorcycle. Good judgment begins with a clear head. Don't let alcohol, drugs or fatigue impair your judgment. Start installation when you are fresh.
- Be sure all federal, state and local laws are obeyed with the installation.
- For optimum performance and safety and to minimize potential damage to carb or other components, use all mounting hardware that is provided and follow all installation instructions.
- Motorcycle exhaust fumes are toxic and poisonous and must not be breathed. Run motorcycle in a well ventilated area where fumes can dissipate.

IMPORTANT NOTICE:

Statements in this instruction sheet preceded by the following words are of special significance.



WARNING

Means there is the possibility of injury to yourself or others.



CAUTION

Means there is the possibility of damage to the part or motorcycle.

NOTE

Other information of particular importance has been placed in italic type.

S&S recommends you take special notice of these items.

WARRANTY:

All S&S parts are guaranteed to the original purchaser to be free of manufacturing defects in materials and workmanship for a period of twelve (12) months from the date of purchase. Merchandise that fails to conform to these conditions will be repaired or replaced at S&S's option if the parts are returned to us by the purchaser within the 12 month warranty period or within 10 days thereafter.

In the event warranty service is required, the original purchaser must call or write S&S immediately with the problem. Some problems can be rectified by a telephone call and need no further course of action.

A part that is suspect of being defective must not be replaced by a Dealer without prior authorization from S&S. If it is deemed necessary for S&S to make an evaluation to determine whether the part was defective, a return authorization number must be obtained from S&S. The parts must be packaged properly so as to not cause further damage and be returned prepaid to S&S with a copy of the original invoice of purchase and a detailed letter outlining the nature of the problem, how the part was used and the circumstances at the time of failure. If after an evaluation has been made by S&S and the part was found to be defective, repair, replacement or refund will be granted.

ADDITIONAL WARRANTY PROVISIONS:

- (1) S&S shall have no obligation in the event an S&S part is modified by any other person or organization.
- (2) S&S shall have no obligation if an S&S part becomes defective in whole or in part as a result of improper installation, improper maintenance, improper use, abnormal operation, or any other misuse or mistreatment of the S&S part.
- (3) S&S shall not be liable for any consequential or incidental damages resulting from the failure of an S&S part, the breach of any warranties, the failure to deliver, delay in delivery, delivery in non-conforming condition, or for any other breach of contract or duty between S&S and a customer.

1. Remove the stock muffler from the motorcycle you are working on following your factory service manual. Keep the clamp and gasket that you remove, you will reuse.
2. Remove the stock muffler bracket from the motorcycle you are working on following your factory service manual, you will not reuse it.
3. Locate the S&S muffler bracket, two flanged head hex bolts and washer as illustrated in Picture 1.



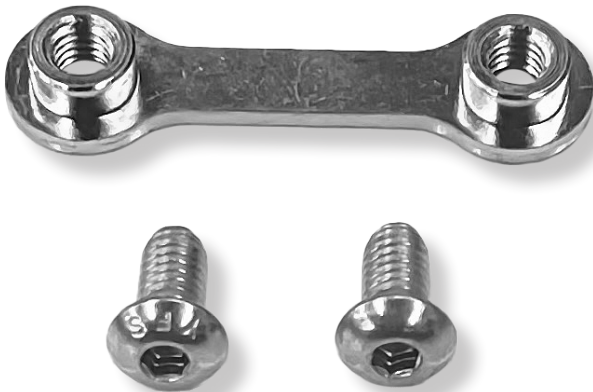
Picture 1

4. Attach the muffler bracket to the mount on the motorcycle using the hex bolts and washers. The large washer goes behind the bracket as illustrated in Picture 2.



Picture 2

5. Locate the two flanged head hex bolts and dog bone as illustrated in Picture 3. This is used to secure the S&S muffler to the muffler bracket.



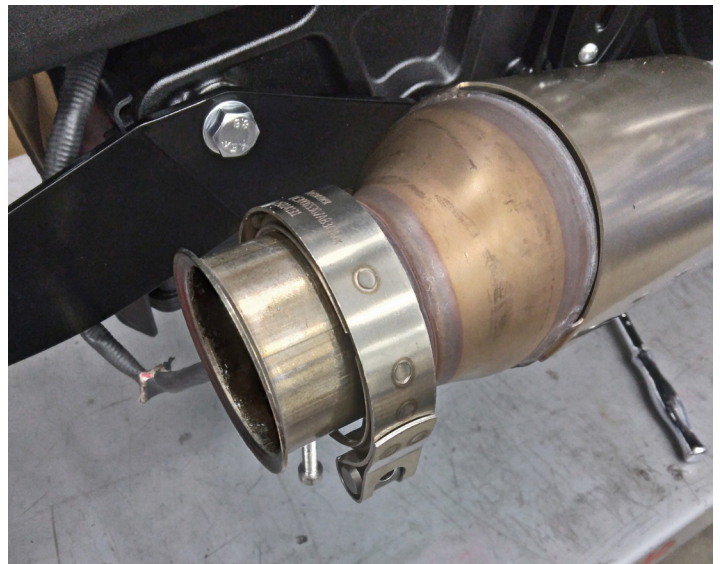
Picture 3

6. Locate the gasket that was removed from the stock muffler and install onto the S&S muffler in the direction indicated in Picture 4.



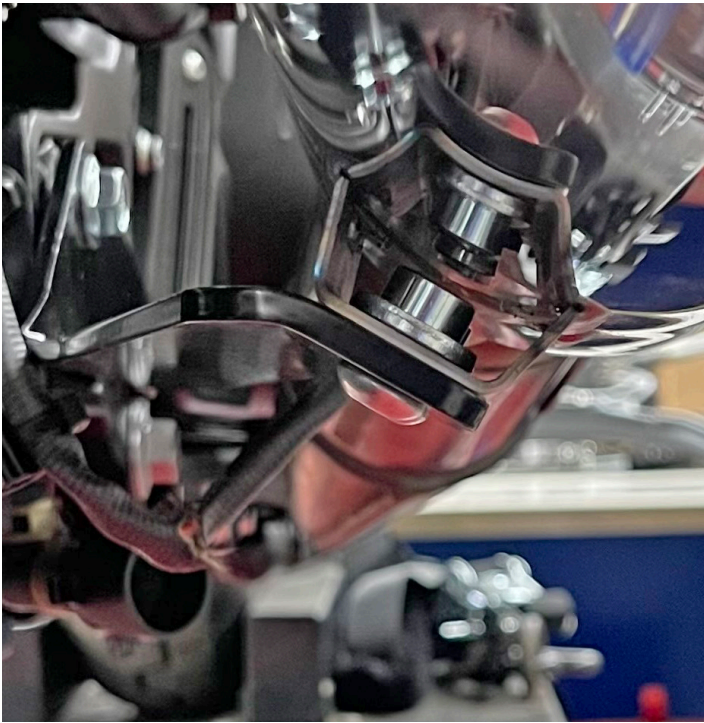
Picture 4

7. Locate the stock muffler clamp that was removed from the stock and muffler and install loosely onto the header of the motorcycle as illustrated in Picture 5.



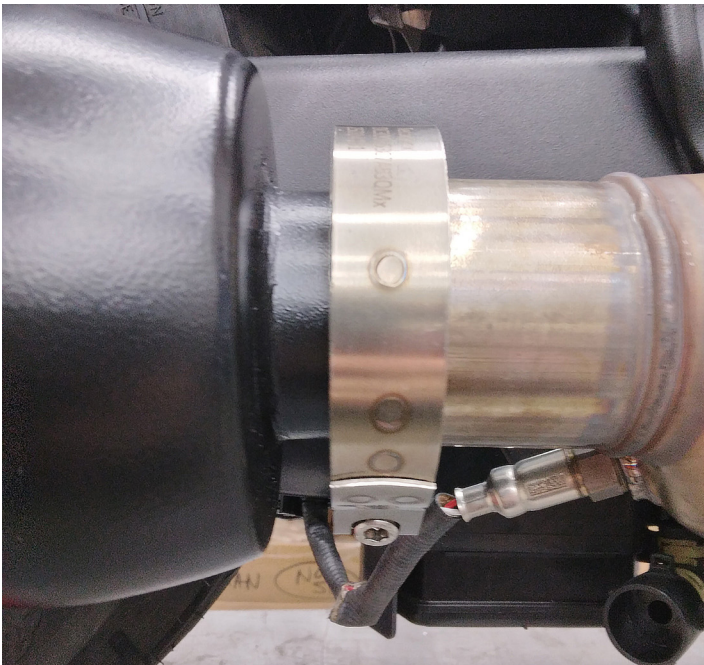
Picture 5

8. Slide the muffler onto the header and use the hex head bolts, washers and dogbone and loosely secure the muffler to the bracket as illustrated in Picture 6.



Picture 6

9. Slide the stock muffler clamp over the muffler inlet as illustrated in Picture 7. Finish torque to specified torque in your factory service manual.



Picture 7

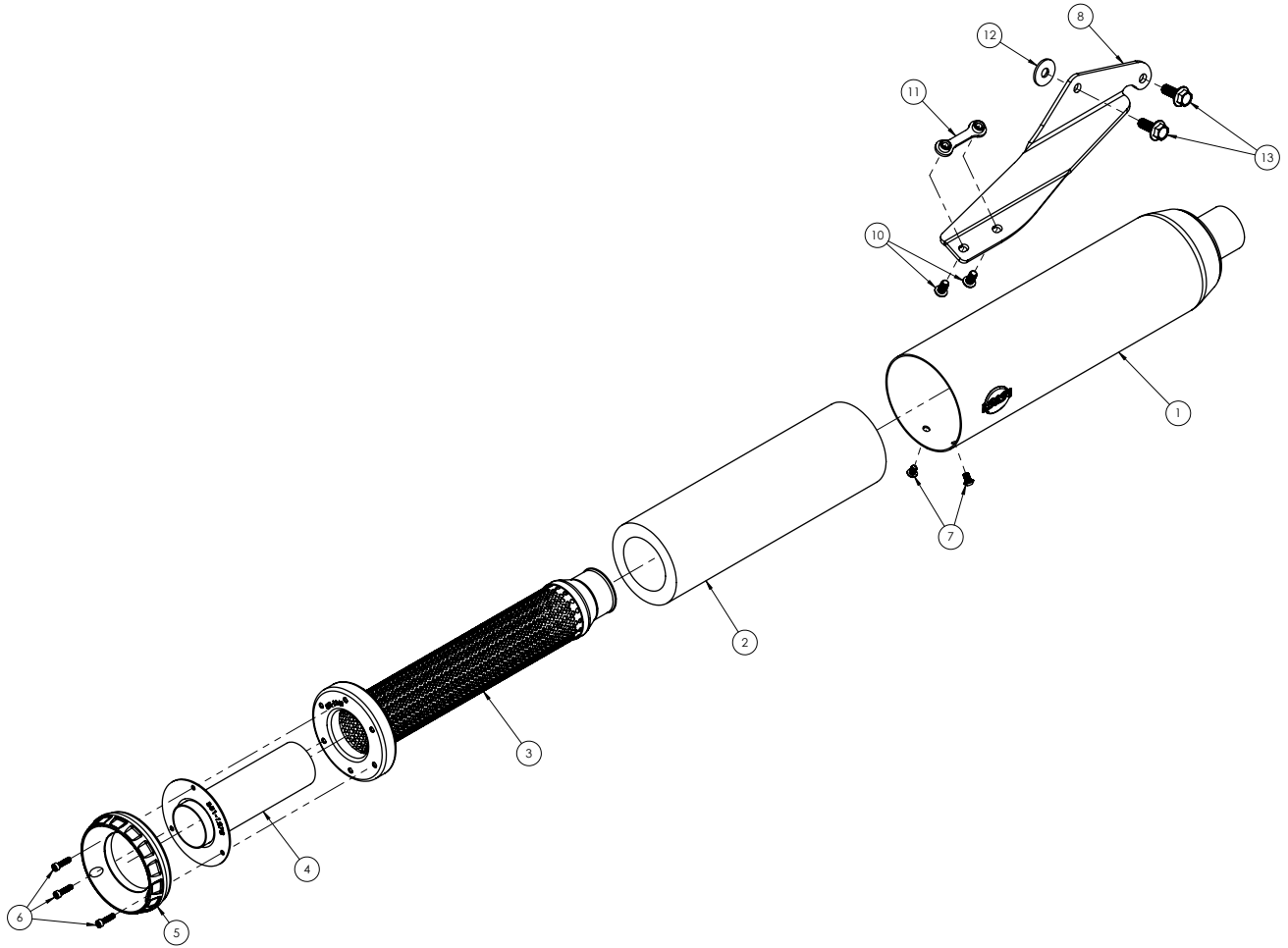
10. Finish torque the M10 hex head bolts that were installed in the muffler bracket to 25 lb./ft. and the 5/16 button head screws to 15 lb./ft.

11. Install rubber cap onto the threaded hanger bolt where the stock Indian bracket was hung from as illustrated in Picture 8.



Picture 8

12. Install heat shield that was removed for the installation.
13. Wipe down exhaust to remove all grease, dirt and fingerprints prior to starting the bike.



1. Muffler Shell	
a. Muffler Shell, Black	551-2273
b. Muffler Shell, Chrome.	551-2274
2. Baffle Assembly.	551-2271
3. Insert, Assembly, Muffler, 4.5" OD Shell, 2" x .049" Wall x 6.5", SAE J2825.	551-1274
4. Cap, End, Muffler, Grand National, Powdercoated, 4.5", Black, Die Cast.	551-1251
5. Screw, 10-32 x 3/4", Stainless Steel.	500-0569
6. Screw, 1/4-20 x 3/8", Stainless Steel.	500-0441
7. Muffler Bracket.	551-2278
8. Screw, BHC, 5/16-18 x 5/8", Zinc Plated.	500-0763
9. Plate, Nut, 5/16-18 x 2", Clear, Zinc.	551-0469
10. Washer.	500-1869
11. Screw.	500-1871